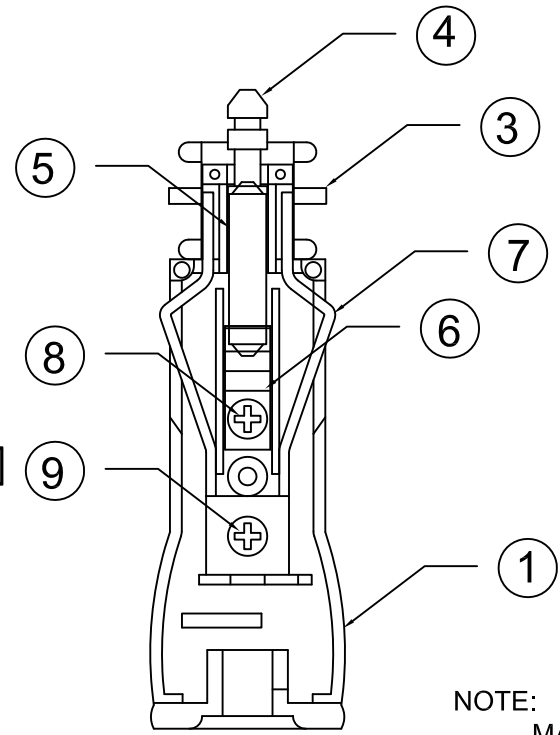
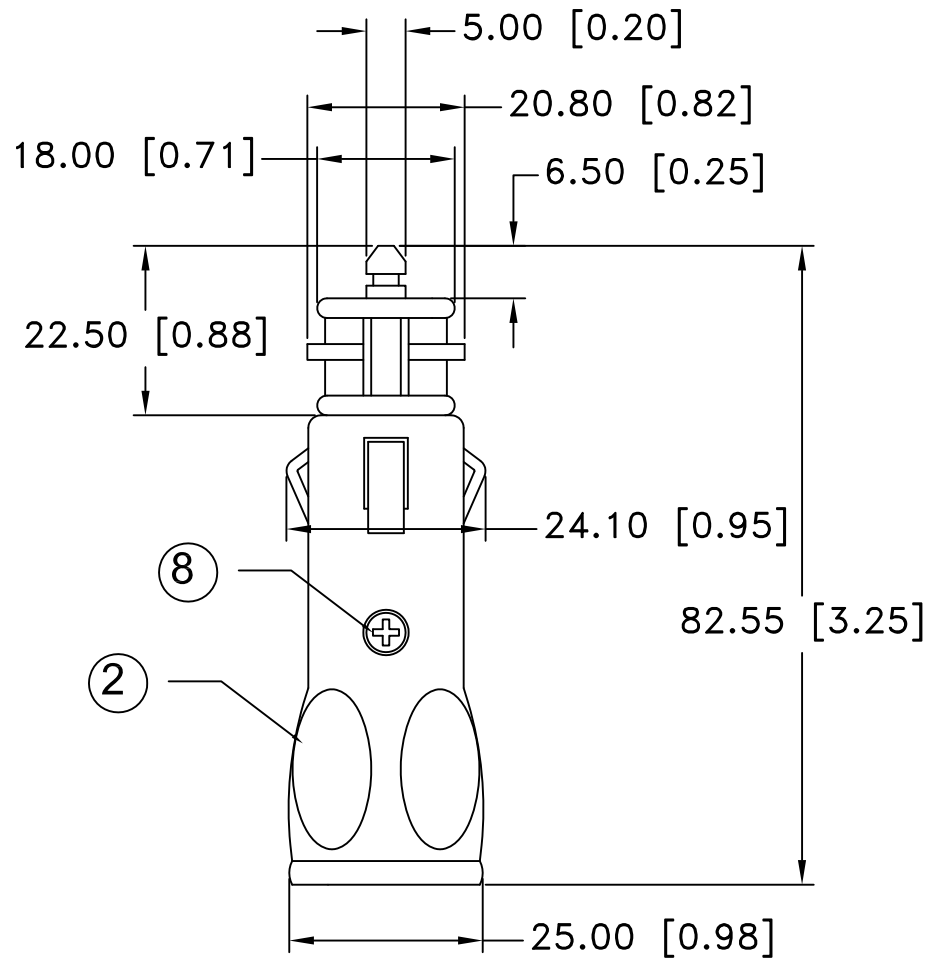



Date	SYM	REVISION RECORD	AUTH	DR.	CK.
03/15/03	A	5 AMP. FUSE WAS 8AMP.	T.B.	B.S.	
04/05/03	B	CHANGED TITLE	T.B.	B.S.	
10/28/06	C	ADDED "ROHS COMPLIANT"	T.B.	B.S.	
05/04/12	D	ADDED NOTE TO REMOVE RED CAP	T.B.	B.S.	
11/07/14	E	UPDATED TO ROHS 2 COMPLIANT	T.B.	B.S.	



NOTE:
 MAXIMUM RATING: 5AMP.
 ROHS 2 COMPLIANT
 REMOVE THE RED CAP FOR DIN 4165 APPLICATION

ITEM NO.	PART NAME	MATL. SPECIFICATION
1	BOTTOM COVER	ABS, UL94-HB, FILE NO. E56070(S)
2	TOP COVER	ABS, UL94-HB, FILE NO. E56070(S)
3	JOINT	NYLON 66
4	COPPER WIRE	BRASS, NICKEL PLATED
5	FUSE	5 AMP
6	+VE SPRING	PHOSPH. COPPER, NICKEL PLTD
7	-VE SPRING	BRASS, NICKEL PLATED
8	SELF TAPPING SCREW	STEEL
9	SELF TAPPING SCREW	STEEL

Tolerance (Except as noted)	 Memory Protection Devices, Inc 200 Broad Hollow Road, Farmingdale, New York 11735	Scale	Drawn By B.S.
			Approved By T.B.
decimal	Title CIGARETTE LIGHTER PLUG FOR 21 OR 22.2 mm DIA. SOCKETS OR DIN 4165	Date 11/07/14 Drawing Number AP-124	
Fractional			
Angular			