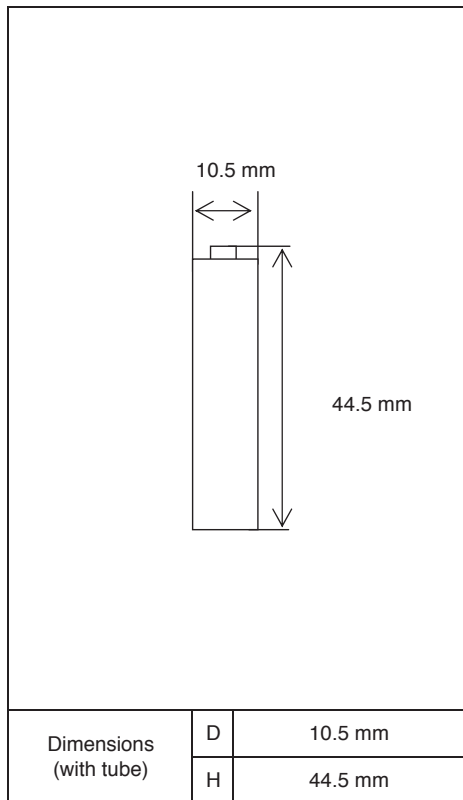


Specifications

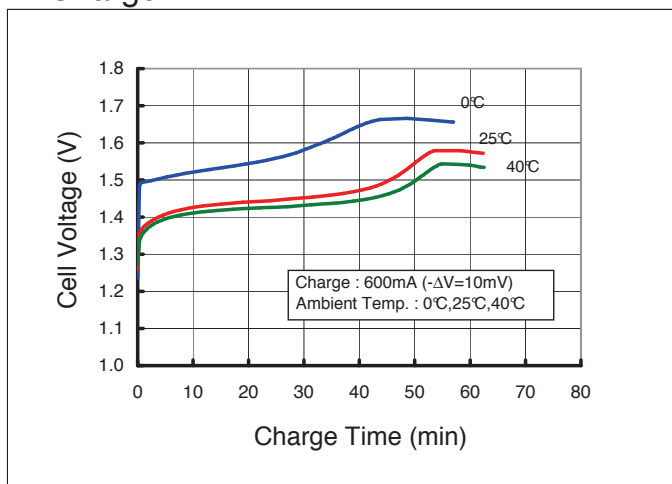


| | | |
|--|-----------------------------------|---|
| Type : Nickel-Metal Hydride Battery | | Size : AAA Consumer Type |
| Capacity ¹⁾ | Typical | 600mAh |
| | Minimum | 550mAh |
| Nominal Voltage | | 1.2V |
| Charging Current x Time | Fast Charge ²⁾ | 600mA x 1.1h |
| Ambient Temp. | Charge Condition | Fast Charge ²⁾ 0°C - 40°C |
| | Discharge Condition 0°C - 50°C | |
| | Storage Condition | Less than 90days |
| Less than 1year | | -20°C - 30°C |
| Internal Impedance ³⁾ (after discharge to E.V.=1.0V) | | Approx. 45m Ω (at 1000Hz) |
| Weight ⁴⁾ | | Approx. 1.1g |
| Size ⁴⁾ : (Diameter) x (Height) | | 10.5(D) x 44.5(H) mm |

- 1) Single cell capacity under the following condition.
Charge : 60mA x 16h, Discharge : 120mA (E.V.=1.0V) at 20°C
- 2) Use recommended charging system.
- 3) After a few charge and discharge cycles under the above 1) condition.
- 4) With tube.

Typical Characteristics

Charge



Discharge

