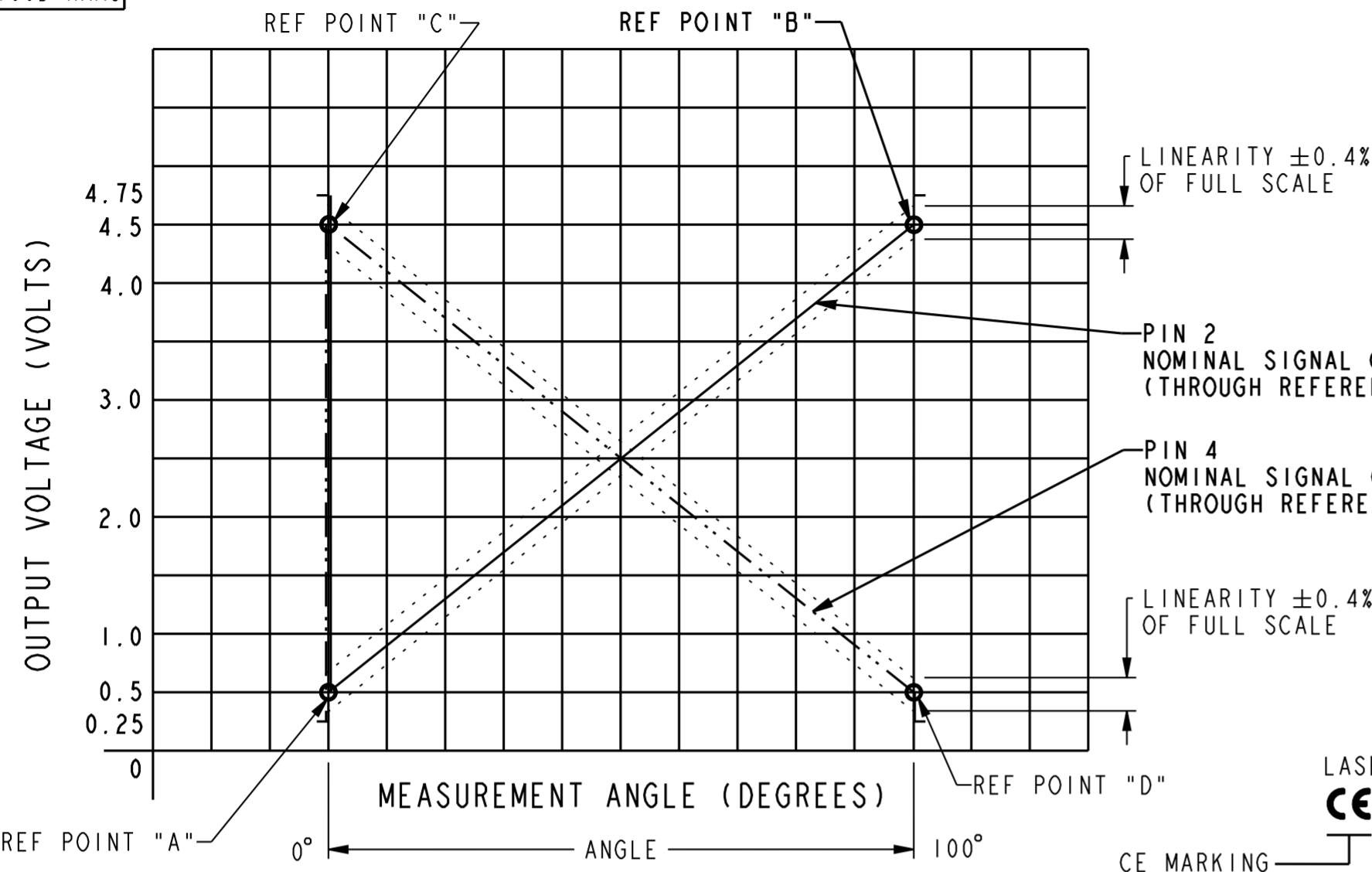


SENSOR OUTPUT PERFORMANCE CHART

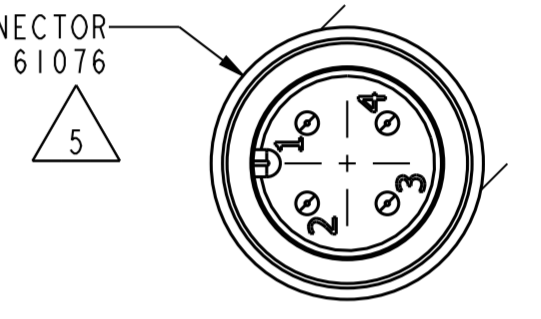
REV	DOCUMENT	CHANGED BY	CHECK
E	0076277	MBN 11APR11	DSK



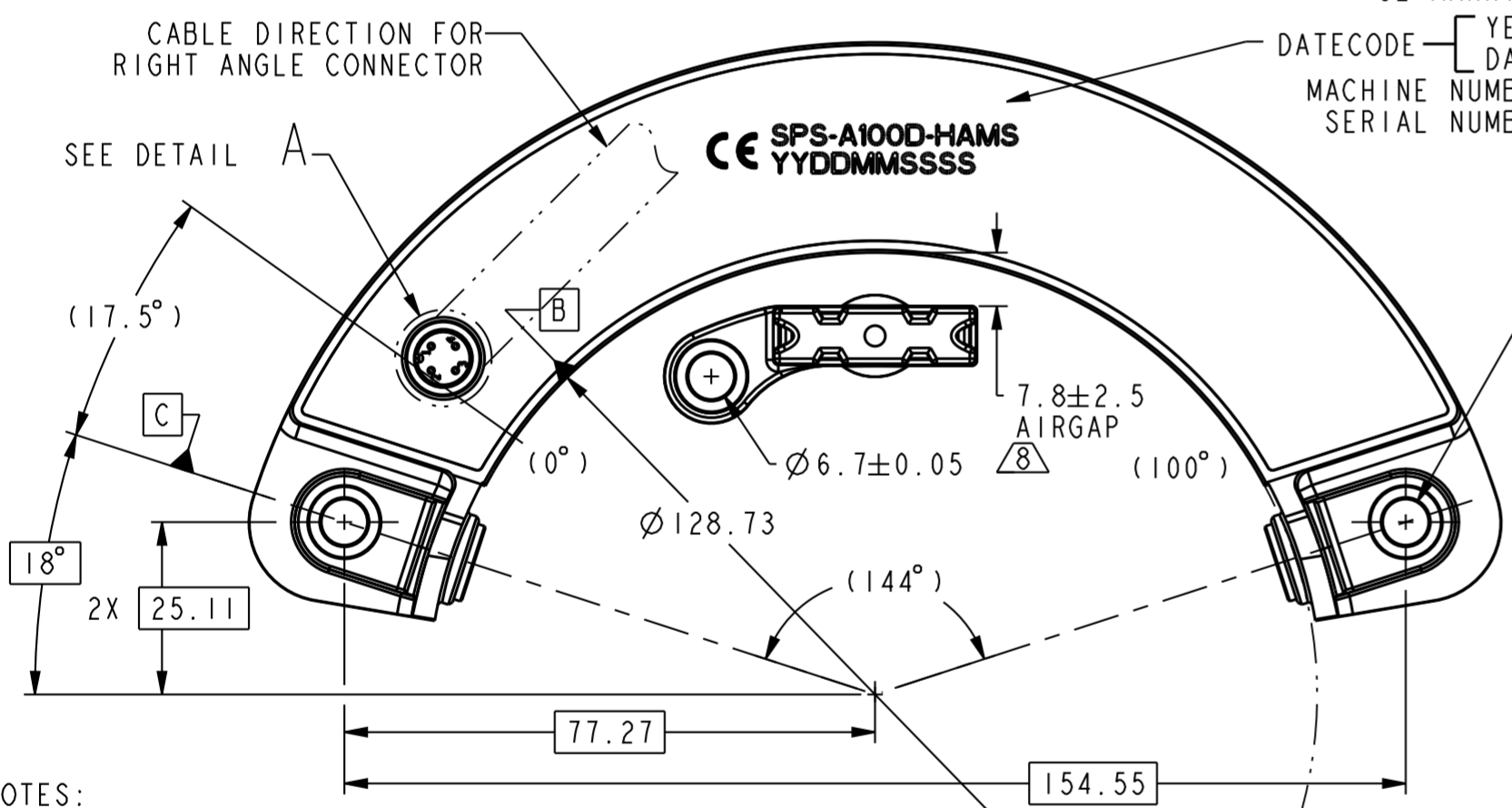
DEFINITIONS:
 1 - % LINEARITY SHALL BE THE QUOTIENT OF THE MEASURED OUTPUT DEVIATION FROM THE BEST FIT LINE AT THE MEASURED TEMPERATURE TO THE FULL SCALE OUTPUT SPAN
 2 - % LINEARITY = (MEASURED VOLTAGE @ T - INDEX VOLTAGE [DEFINED BY BEST FIT LINE @ T]) / (FULL SCALE OUTPUT SPAN) X 100
 3 - FS = FULL SCALE = 4 V

PARAMETER	MIN	TYP	MAX	UNITS
SENSITIVITY	38.40	40.00	41.60	mV/DEGREE
MEASUREMENT DISTANCE	0		100	DEGREES
% LINEARITY	-0.4	0	0.4	% FS

M12 (4 POS) CONNECTOR
A-KEYED PER IEC 61076

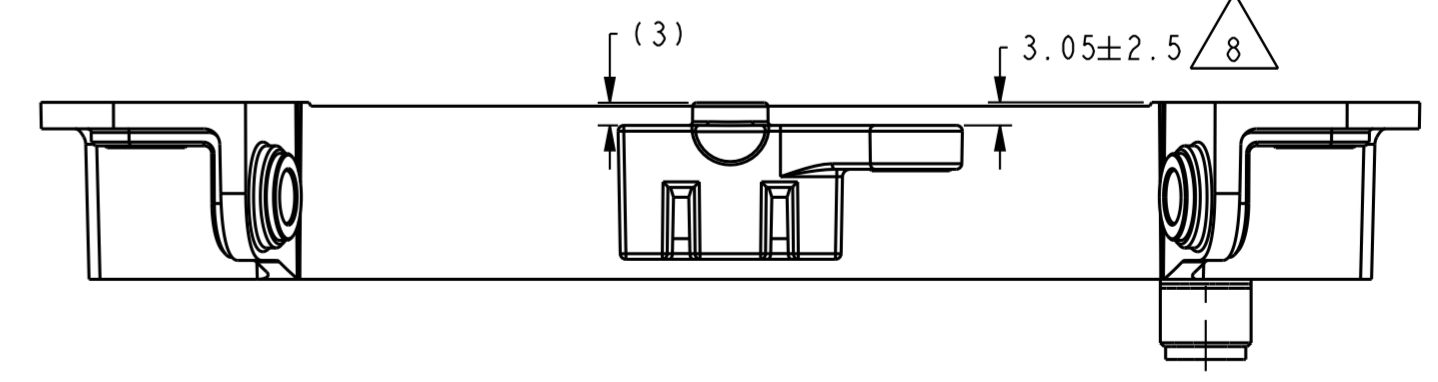
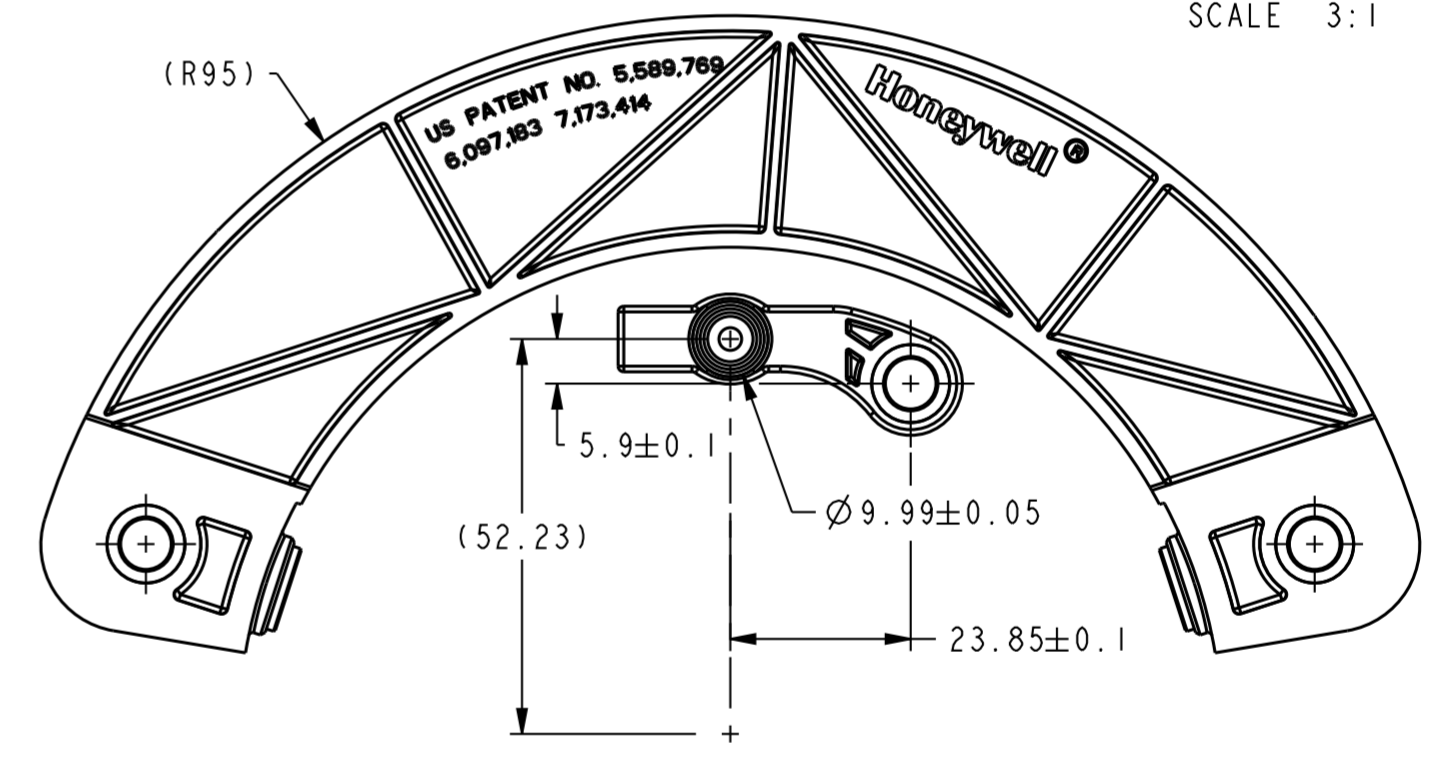
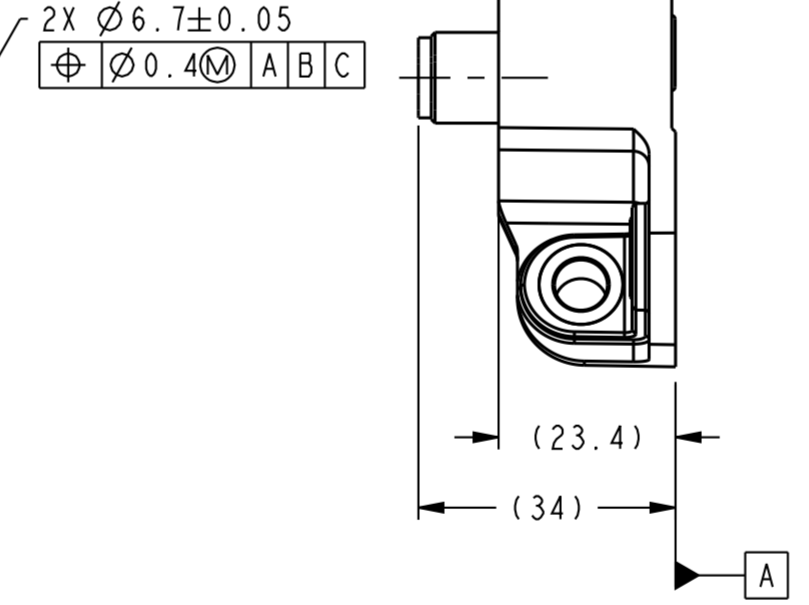


DETAIL A
SCALE 3:1



LASER MARK
 CE SPS-A100D-HAMS----HONEYWELL P/N
 YYDDMMSSSS

CE MARKING
 YEAR DATE
 MACHINE NUMBER
 SERIAL NUMBER



- NOTES:
- PIN 2 IDEAL OUTPUT @ REF POINT A [ANGLE = 0°]: 0.5V
IDEAL OUTPUT @ REF POINT B [ANGLE = 100°]: 4.5V
 - PIN 4 IDEAL OUTPUT @ REF POINT C [ANGLE = 0°]: 4.5V
IDEAL OUTPUT @ REF POINT D [ANGLE = 100°]: 0.5V
 - OPERATING CONDITIONS:
TEMP RANGE -40°C TO 85°C
SUPPLY VOLTAGE 6.0 TO 24.0 VDC
SUPPLY CURRENT 45mA MAX
 - MOUNTING
MAGNET PIN LOCATING HOLE: Ø10.25 ± 0.10
MOUNTING SCREWS: 1/4-20 OR M6
RECOMMENDED INSTALLATION TORQUE: 53.1 TO 70.8 IN-LBS (6 TO 8 N-M)
 - CONNECTOR PINOUT:
PIN 1: SUPPLY VOLTAGE (+) PIN 2: OUTPUT
PIN 3: GROUND (-) PIN 4: INVERTED OUTPUT
ONLY OUTPUT PIN 2 OR PIN 4 CAN BE CONNECTED AT A TIME
 - FERROUS MATERIAL WITHIN 100 MM (3.9") RADIUS OF MAGNET MAY IMPACT SENSOR PERFORMANCE
 - DIAGNOSTIC - MAGNET OUT OF RANGE: PIN 2 > 4.55, PIN 4 < .45
 - TOLERANCE APPLIES FOR FULL SENSE RANGE
 - DEVICE USED TO READ ANALOG OUTPUT MUST HAVE INPUT IMPEDANCE GREATER THAN 1 MEGAOHM
 - OUTSIDE OF THE VALID MEASUREMENT RANGE THE OUTPUT VOLTAGE WILL BE INDETERMINATE
 - DIRECT IMPACT TO THE CONNECTOR MAY COMPROMISE THE INTEGRITY OF THE SENSOR AND COMPROMISE THE SEAL RATING. HONEYWELL ADVISES MEASURES BE ESTABLISHED TO PREVENT DIRECT IMPACT.



HONEYWELL CONFIDENTIAL
 COPYRIGHT © 2010
 HONEYWELL INTERNATIONAL INC.
 UNPUBLISHED WORK. ALL RIGHTS RESERVED.

DESIGN UNITS: MM
 TOLERANCES UNLESS NOTED:

NO PLACES	x	±	1.000
ONE PLACE	.x	±	0.40
TWO PLACE	.xx	±	0.150
THREE PLACE	.xxx	±	0.005
ANGLES	x	±	3.0°

THIRD ANGLE PROJECTION

DRAWN	JLH	15 JUN 10
CHECK	JLH	15 JUN 10
THIS DRAWING COVERS A PROPRIETARY ITEM AND IS THE PROPERTY OF HONEYWELL. THIS DRAWING IS NOT TO BE COPIED OR USED WITHOUT THE PERMISSION OF HONEYWELL.		
INTERPRET PER ASME Y14.5M-1994 OTHER HONEYWELL ENGINEERING STANDARDS MAY APPLY		
Pro/ENGINEER	3D	SCALE 1:1

Honeywell			
TITLE SMART POSITION SENSOR, 100 ARC			
SIZE	TYPE	CAGE CODE	DRAWING NAME
A2	I	-	SPS-A100D-HAMS
REV	E		
SHEET 1 OF 1			