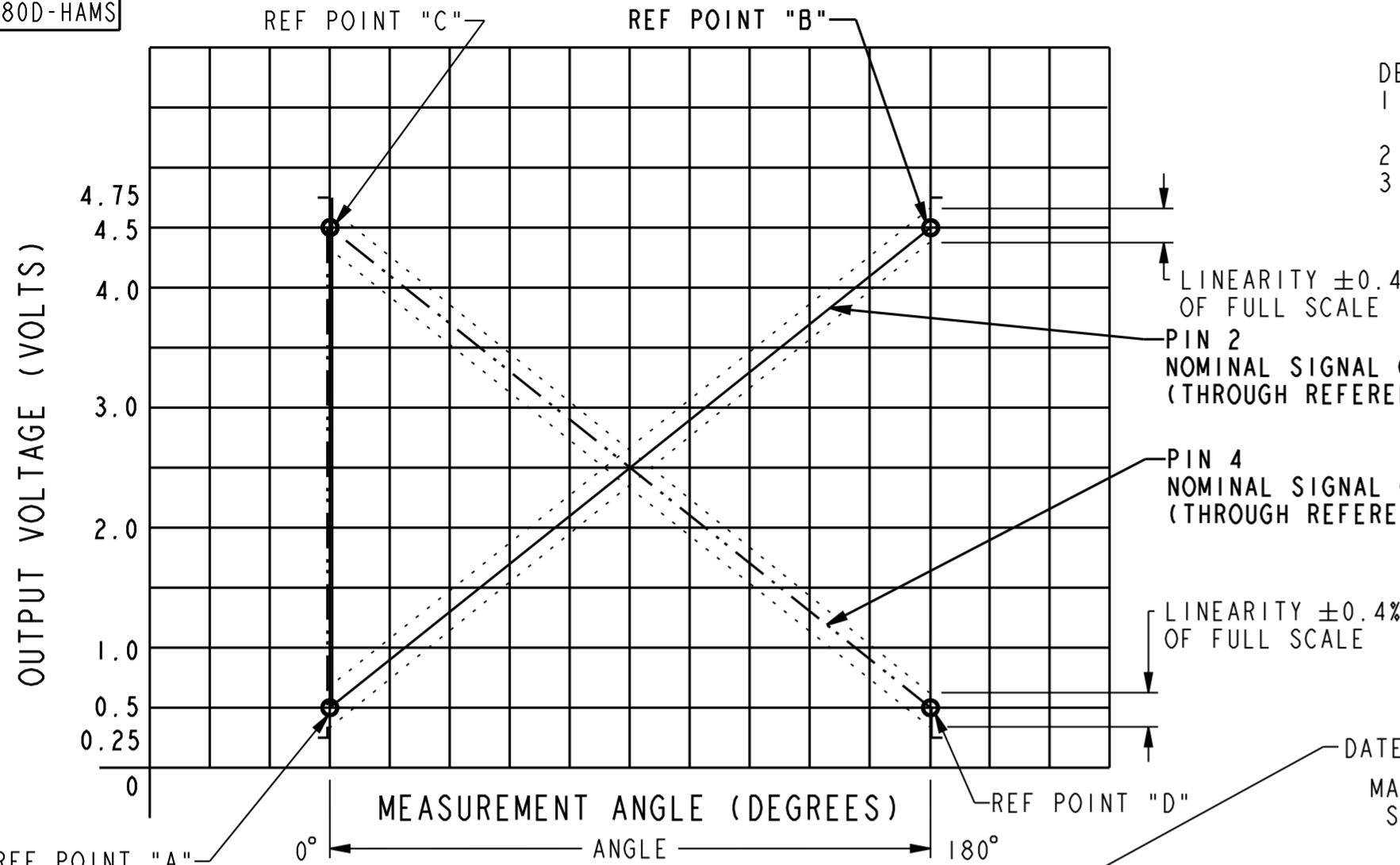


SENSOR OUTPUT PERFORMANCE CHART

REV	DOCUMENT	CHANGED BY	CHECK
E	0076277	MBN 08APR11	DSK



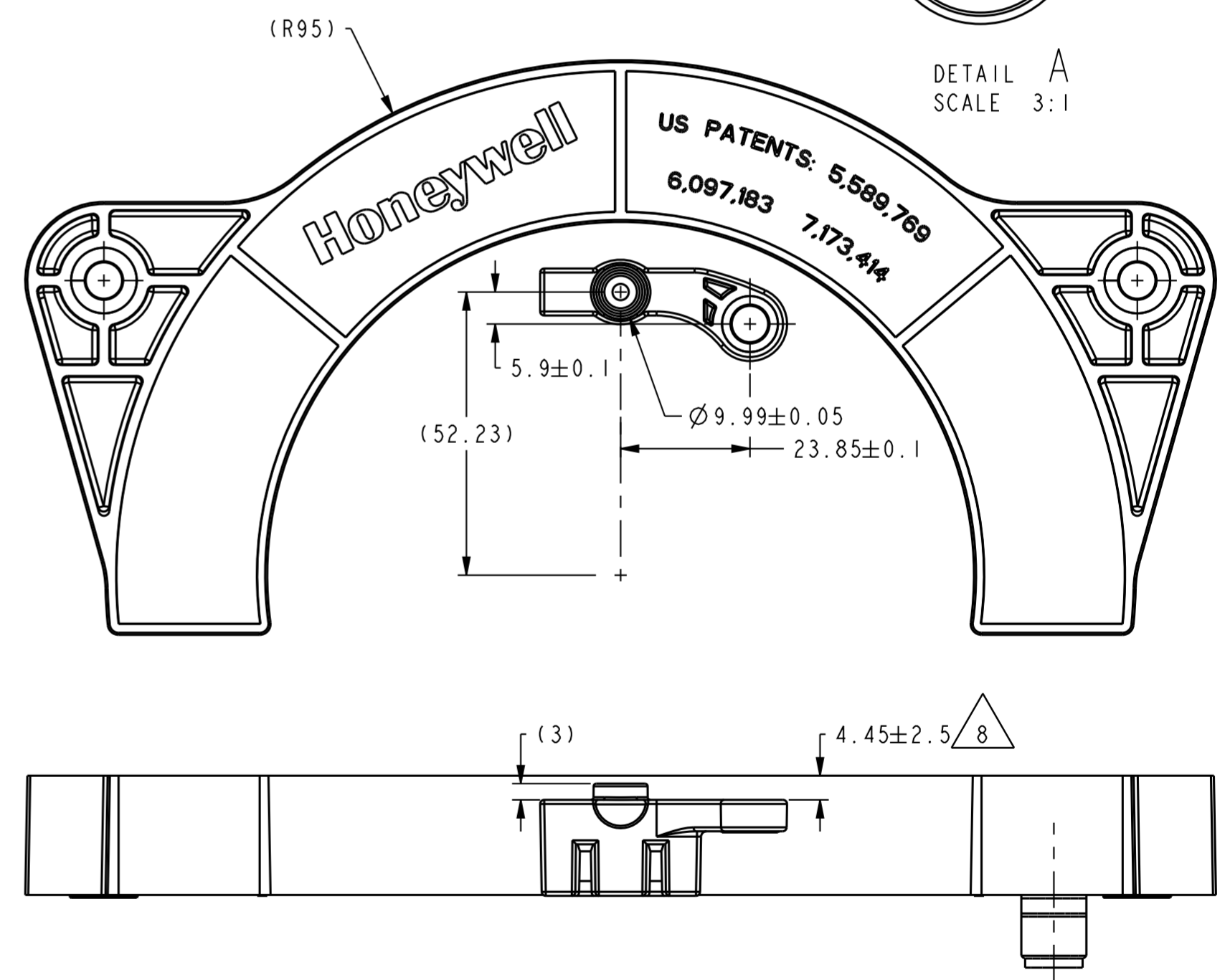
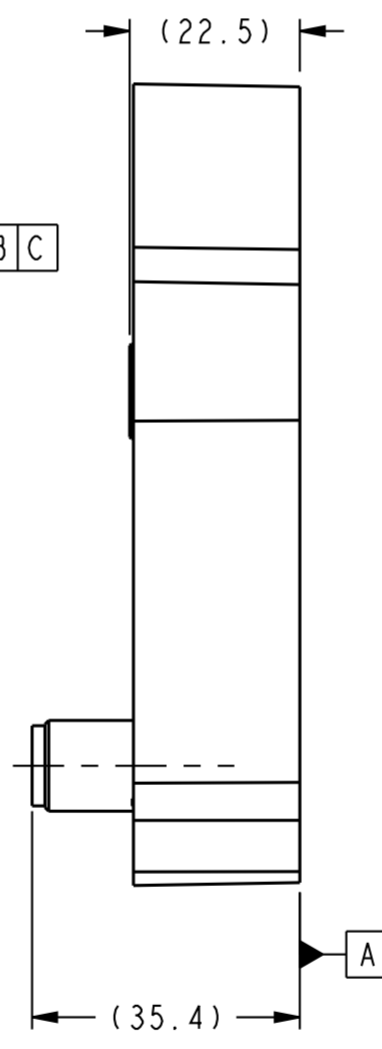
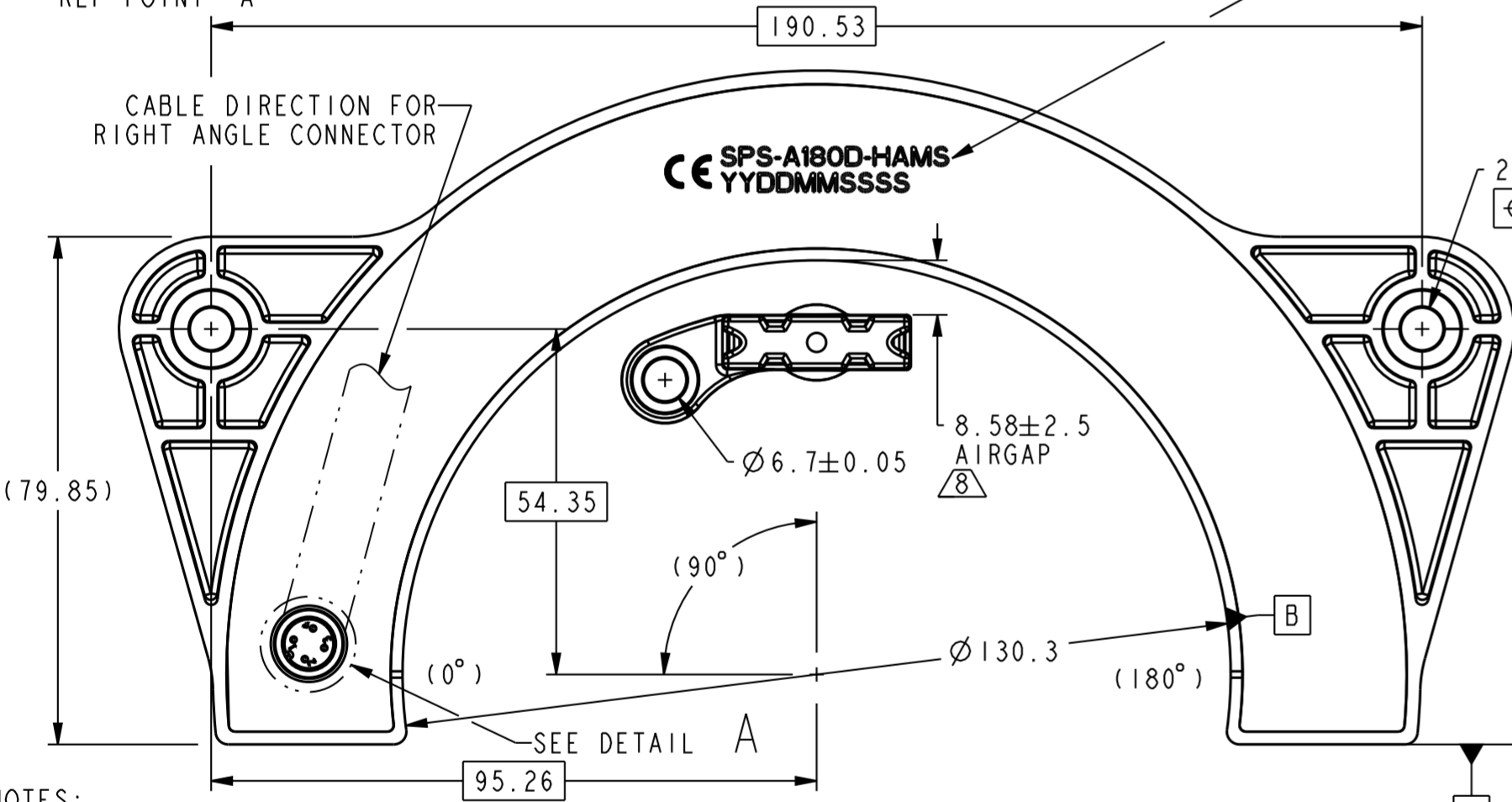
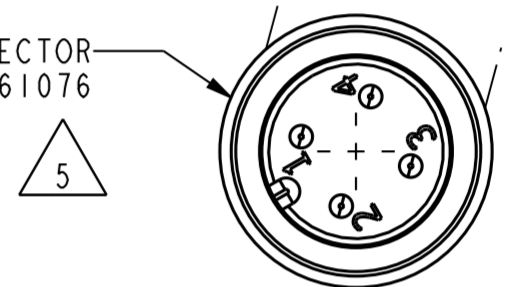
PARAMETER	MIN	TYP	MAX	UNITS
SENSITIVITY	21.33	22.22	23.11	mV/DEGREE
MEASUREMENT DISTANCE	0		180	DEGREES
% LINEARITY	-0.4	0	0.4	% FS

LASER MARK
 CE SPS-A180D-HAMS---HONEYWELL P/N
 YYDDMMSSSS

CE MARKING
 YEAR
 DATE
 MACHINE NUMBER
 SERIAL NUMBER

DATECODE

M12 (4 POS) CONNECTOR
 A-KEYED PER IEC 61076



- NOTES:
- PIN 2 IDEAL OUTPUT @ REF POINT A [ANGLE = 0°]: 0.5V
 IDEAL OUTPUT @ REF POINT B [ANGLE = 180°]: 4.5V
 - PIN 4 IDEAL OUTPUT @ REF POINT C [ANGLE = 0°]: 4.5V
 IDEAL OUTPUT @ REF POINT D [ANGLE = 180°]: 0.5V
 - OPERATING CONDITIONS:
 TEMP RANGE -40°C TO 85°C
 SUPPLY VOLTAGE 6.0 TO 24.0 VDC
 SUPPLY CURRENT 45mA MAX
 - MOUNTING
 MAGNET PIN LOCATING HOLE: Ø10.25 ± 0.10
 MOUNTING SCREWS: 1/4-20 OR M6
 RECOMMENDED INSTALLATION TORQUE: 53.1 TO 70.8 IN-LBS (6 TO 8 N-M)
 - CONNECTOR PINOUT:
 PIN 1: SUPPLY VOLTAGE (+) PIN 2: OUTPUT
 PIN 3: GROUND (-) PIN 4: INVERTED OUTPUT
 ONLY OUTPUT PIN 2 OR PIN 4 CAN BE CONNECTED AT A TIME
 - FERROUS MATERIAL WITHIN 100 MM (3.9") RADIUS OF MAGNET MAY IMPACT SENSOR PERFORMANCE
 - DIAGNOSTIC - MAGNET OUT OF RANGE: PIN 2 > 4.55, PIN 4 < .45
 - TOLERANCE APPLIES FOR FULL SENSE RANGE
 - DEVICE USED TO READ ANALOG OUTPUT MUST HAVE INPUT IMPEDANCE GREATER THAN 1 MEGAOHM
 - OUTSIDE OF THE VALID MEASUREMENT RANGE THE OUTPUT VOLTAGE WILL BE INDETERMINATE
 - DIRECT IMPACT TO THE CONNECTOR MAY COMPROMISE THE INTEGRITY OF THE SENSOR AND COMPROMISE THE SEAL RATING. HONEYWELL ADVISES MEASURES BE ESTABLISHED TO PREVENT DIRECT IMPACT.



HONEYWELL CONFIDENTIAL
 COPYRIGHT © 2010
 HONEYWELL INTERNATIONAL INC.
 UNPUBLISHED WORK. ALL RIGHTS RESERVED.

DESIGN UNITS: MM
 TOLERANCES UNLESS NOTED:

NO PLACES	x	±	1.000
ONE PLACE	.x	±	0.40
TWO PLACE	.xx	±	0.150
THREE PLACE	.xxx	±	0.005
ANGLES	x	±	3.0°

THIRD ANGLE PROJECTION

DRAWN	JLH	9JUN10
CHECK	JLH	9JUN10
THIS DRAWING COVERS A PROPRIETARY ITEM AND IS THE PROPERTY OF HONEYWELL. THIS DRAWING IS NOT TO BE COPIED OR USED WITHOUT THE PERMISSION OF HONEYWELL.		
INTERPRET PER ASME Y14.5M-1994 OTHER HONEYWELL ENGINEERING STANDARDS MAY APPLY		
Pro/ENGINEER	3D	SCALE 1:1

Honeywell			
TITLE SMART POSITION SENSOR, 180 ARC			
SIZE	TYPE	PACKAGE CODE	DRAWING NAME
A2	I	-	SPS-A180D-HAMS
REV	E		
SHEET 1 OF 1			