

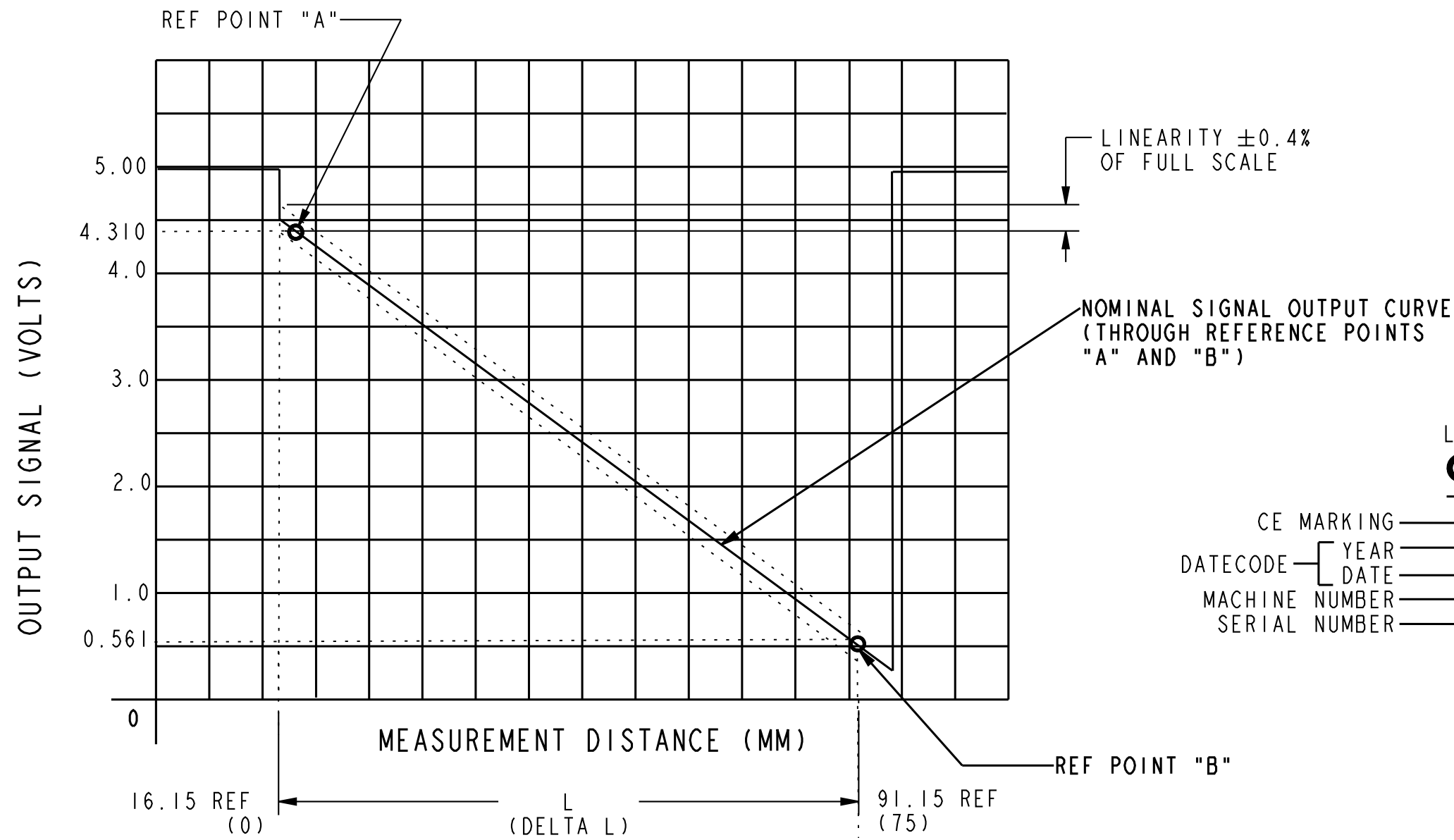
HONEYWELL
PART NUMBER
SPS-L075-HALS

REV	DOCUMENT	CHANGED BY	CHECK
D	0099387	PMH 29MAR13	RS

DEFINITIONS

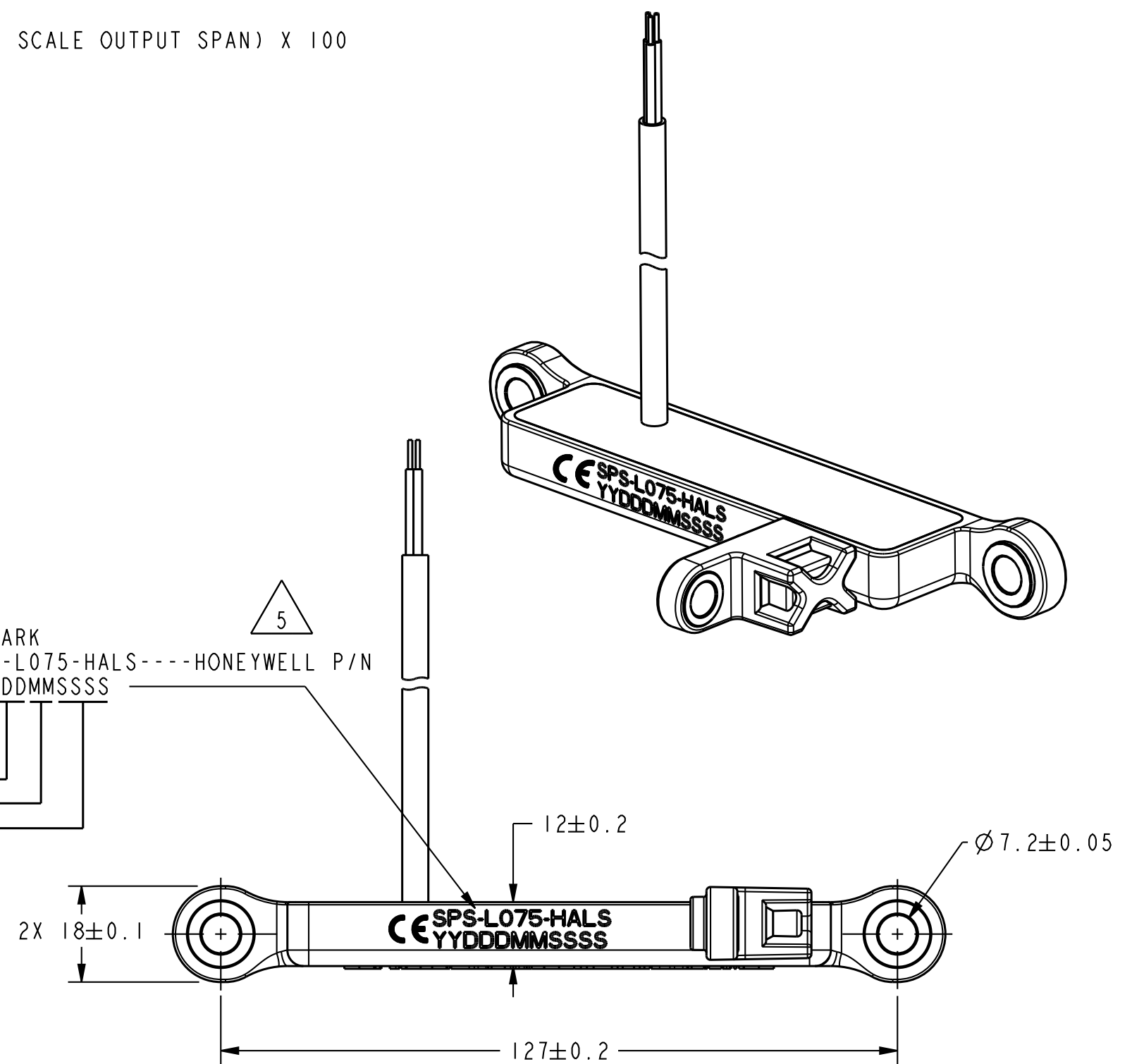
- 1 - % LINEARITY SHALL BE THE QUOTIENT OF THE MEASURED OUTPUT DEVIATION FROM THE BEST FIT LINE AT THE MEASURED TEMPERATURE TO THE FULL SCALE OUTPUT SPAN
- 2 - % LINEARITY = (MEASURED VOLTAGE @ T - INDEX VOLTAGE [DEFINED BY BEST FIT LINE @ T]) / (FULL SCALE OUTPUT SPAN) X 100
- 3 - FS = FULL SCALE = 3.750 V

SENSOR OUTPUT PERFORMANCE CHART

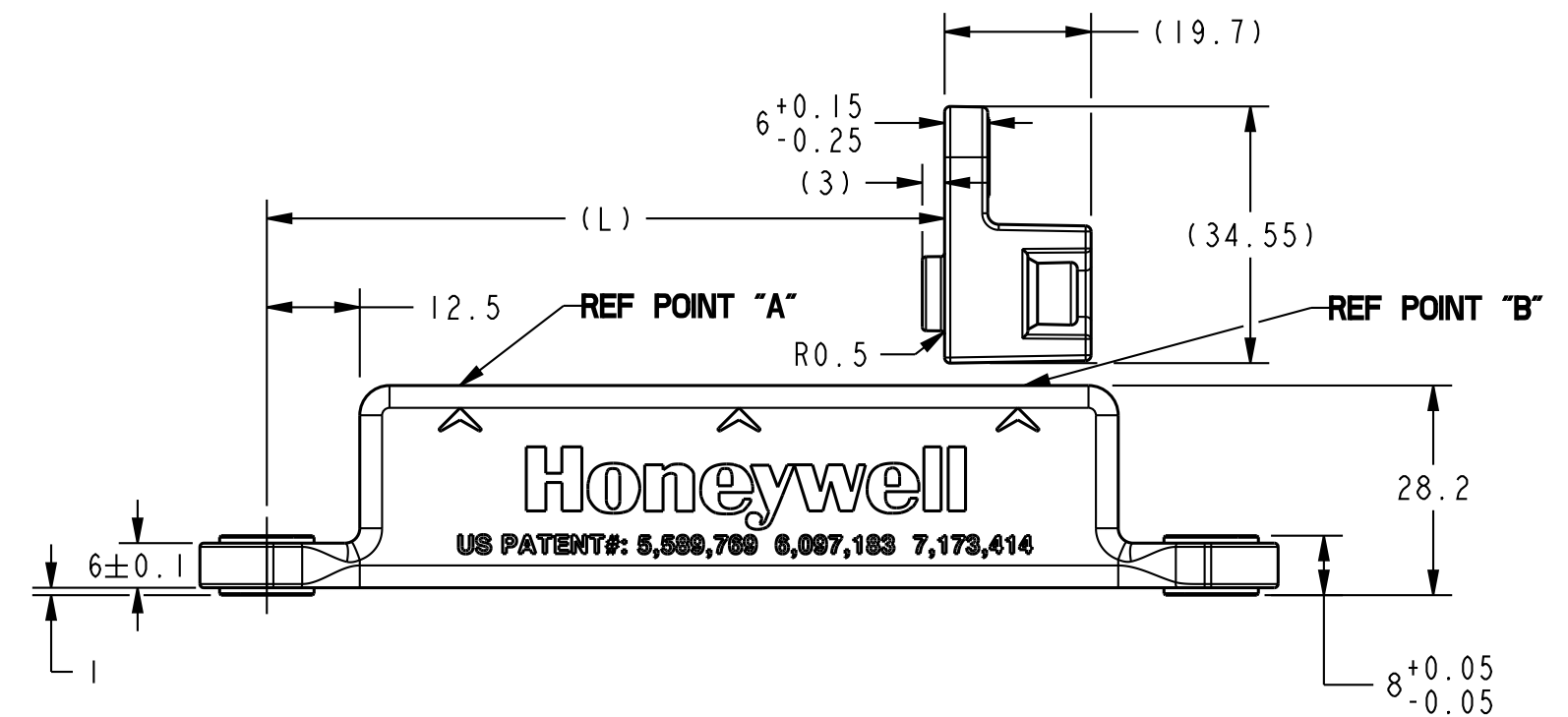
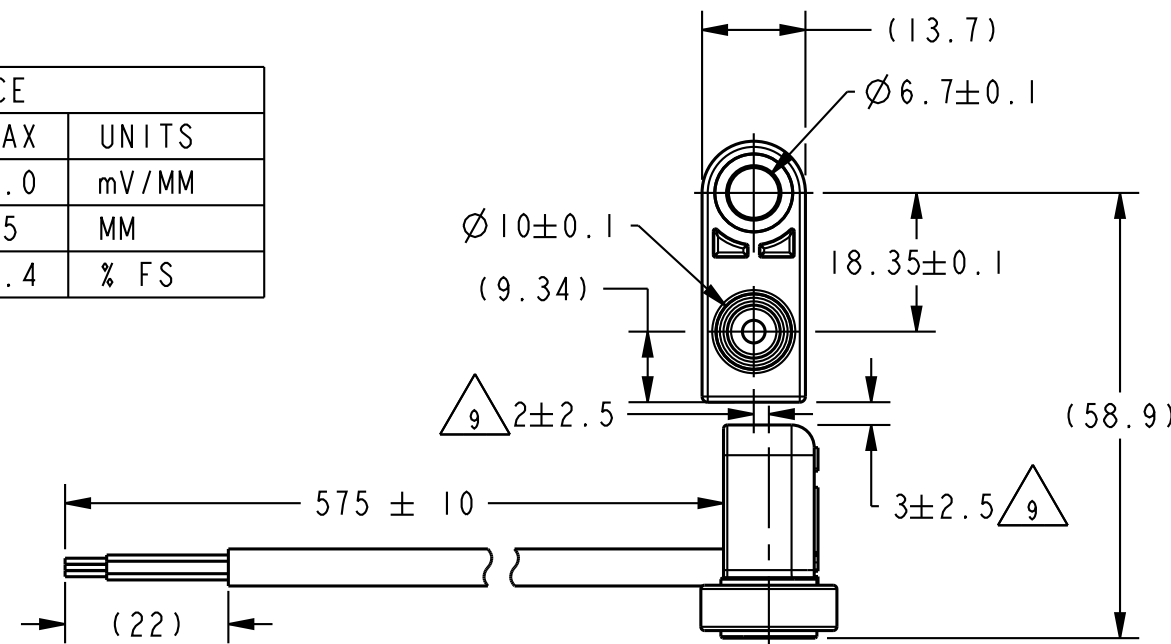


LASER MARK
CE SPS-L075-HALS---HONEYWELL P/N
 YYDDMMSSSS

CE MARKING
 YEAR
 DATE
 MACHINE NUMBER
 SERIAL NUMBER

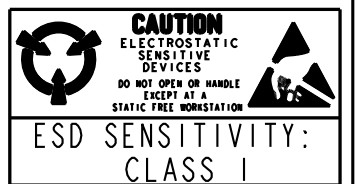


SENSOR OUTPUT PERFORMANCE				
PARAMETER	MIN	TYP	MAX	UNITS
SENSITIVITY	48.0	50.0	52.0	mV/MM
MEASUREMENT DISTANCE	0		75	MM
% LINEARITY	-0.4	0	0.4	% FS



- NOTES
- 1 - IDEAL OUTPUT @ REF POINT A [DELTA L=0MM]: 4.310V
 - 2 - IDEAL OUTPUT @ REF POINT B [DELTA L=75MM]: 0.561V
 - 3 - OPERATING CONDITIONS:
 TEMP RANGE -40°C TO 125°C
 SUPPLY VOLTAGE 6.0 TO 24.0 VDC
 SUPPLY CURRENT 32mA MAX
 INITIAL START-UP TIME 30ms
 - 4 - MOUNTING
 MAGNET PIN LOCATING HOLE: Ø10.25 ± 0.10
 MOUNTING SCREWS: 1/4-20 OR M6
 RECOMMENDED INSTALLATION TORQUE: 53.1 TO 70.8 IN-LBS (6 TO 8 N-M)
 - 5 - LASER MARK INCLUDES HONEYWELL PART #, DATE CODE, SERIAL #, & CE MARKING
 - 6 - MAGNET APPROXIMATE POSITION L=16.15MM TO 91.15MM
 - 7 - ELECTRICAL COLOR CODE:
 BLACK: GROUND (-)
 RED: SUPPLY VOLTAGE (+)
 GREEN: OUTPUT (O)
 - 8 - FERROUS MATERIAL WITHIN 100 MM (3.9") RADIUS OF MAGNET MAY IMPACT SENSOR PERFORMANCE
 - 9 - TOLERANCE APPLIES FOR FULL SENSE RANGE
 - 10 - CABLE MIN BEND RADIUS: 40MM

HONEYWELL CONFIDENTIAL
 COPYRIGHT © 2009
 HONEYWELL INTERNATIONAL INC.
 UNPUBLISHED WORK. ALL RIGHTS RESERVED.



DESIGN UNITS: MM TOLERANCES UNLESS NOTED:	DRAWN SJK 03JUN09 CHECK JLH 03JUN09	Honeywell TITLE SMART POSITION SENSOR, L075	
NO PLACES .X ± 1.000 ONE PLACE .XX ± 0.400 TWO PLACE .XX ± 0.150 THREE PLACE .XXX ± 0.005 ANGLES X ± 3.0°	THIS DRAWING COVERS A PROPRIETARY ITEM AND IS THE PROPERTY OF HONEYWELL. THIS DRAWING IS NOT TO BE COPIED OR USED WITHOUT THE PERMISSION OF HONEYWELL.		SIZE TYPE CAGE CODE DRAWING NAME REV C I - SPS-L075-HALS D
THIRD ANGLE PROJECTION 	INTERPRET PER ASME Y14.5M-1994 OTHER HONEYWELL ENGINEERING STANDARDS MAY APPLY Pro/ENGINEER 3D SCALE 1:1		SHEET 1 OF 1