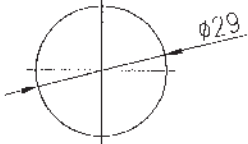
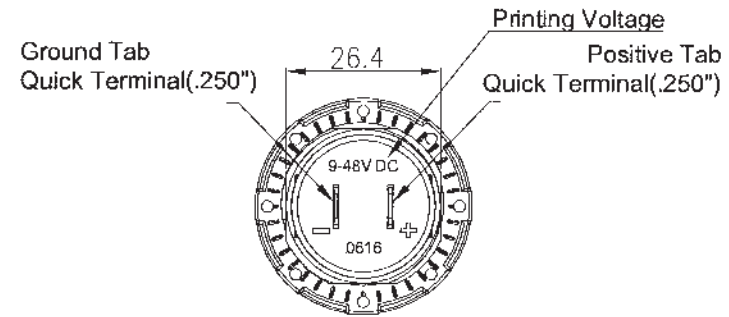
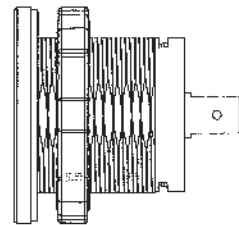
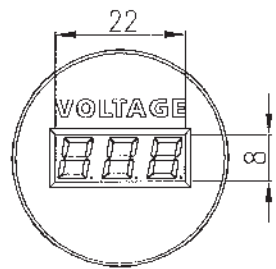
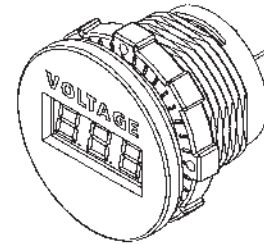
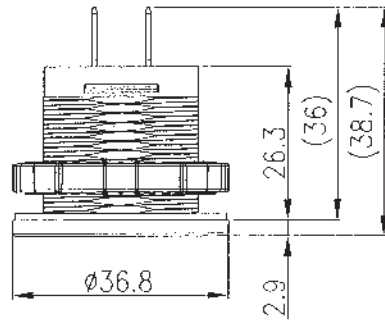


Rating	Input: 9V-48V DC Voltage Tolerance: +/- 1% (0.1V @ 12V, 0.5V @ 48V) LED display. Reverse polarity protection Surge protection up to 400W/50V	Mounting Hole 
	Insulation Resistance	
Operating Temperature	-20°C~50°C	



Tolerances ±0.3 Unless Otherwise Specified

				Drawn	Checked	Approved	SCI BOM No.	1570015	Model Name	DC Voltmeter	
				Rock Hsu			Customer No.		Model No.	A25-1C-BB4-R	Rev.
12/12/16	方婷鳳	依電壓規格修正圖號,原圖號A25-1C-BB3-R,修正為A25-1C-BB4-R	△	12/12/16			Unit	mm	SCI	Rossmann Electronic GmbH	1
Date	Name	Description	No.							info@rossmannweb.de	