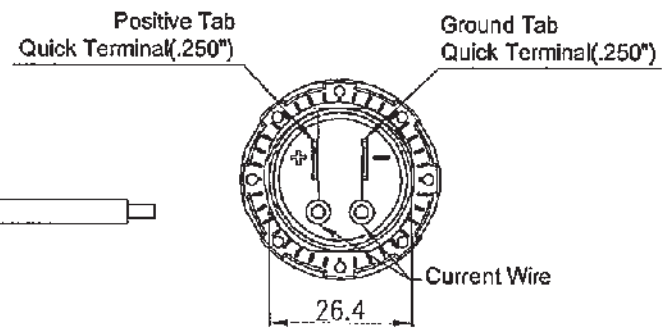
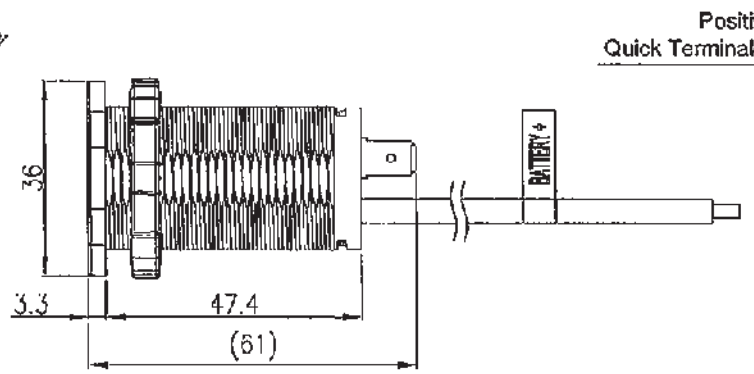
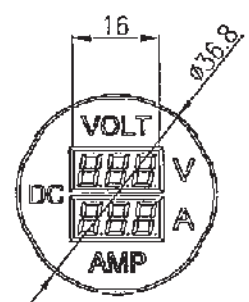
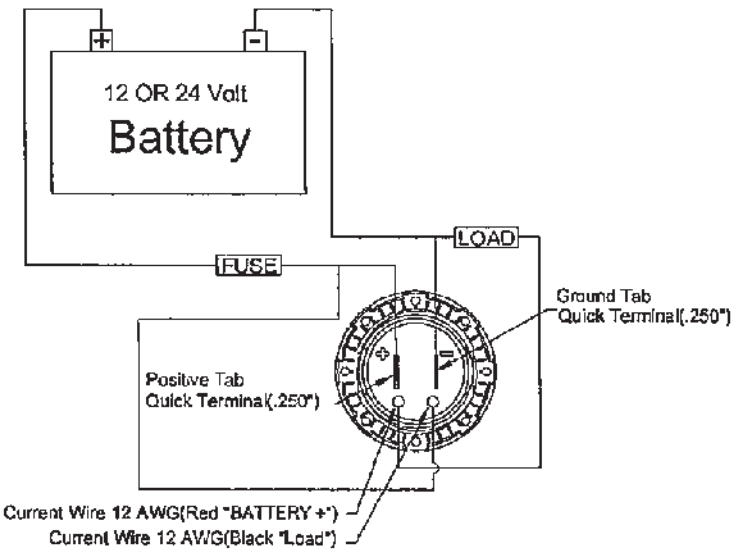
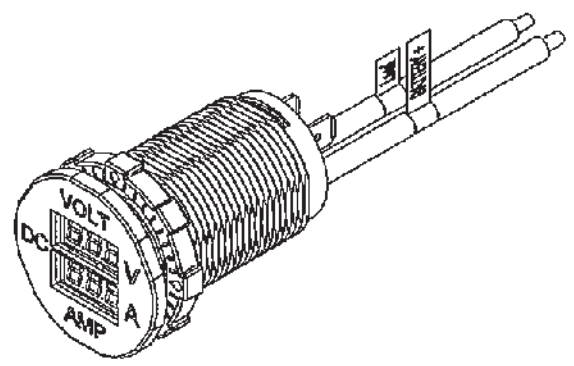
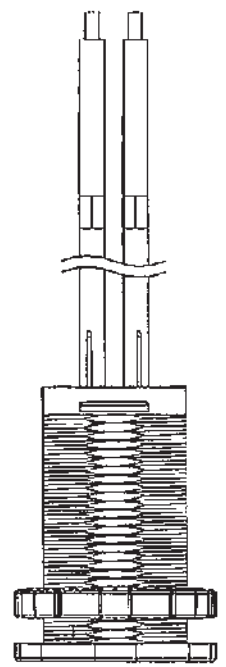
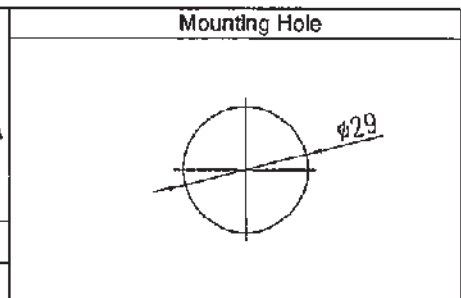


Rating	Operating voltage:7V-33V DC Measuring Voltage:7-33V Voltage Tolerance: 1% 12V±0.1V , 24V±0.2V Measuring Current range:0-25.0A Current Tolerance: 5% 1A±0.1A,10A±0.5A,20A±1.0A,25A±1.3A LED digital display. Reverse polarity protection.Surge protection up to 400W/36V
Insulation Resistance	DC 500V 100MΩ Min.
Operating Temperature	-20℃-50℃



Tolerances ±0.3 Unless Otherwise Specified

for SCI

				Drawn	Checked	Approved	SCI BOM No.	Model Name	DC Volt / Amp meter
			△	Rock Hsu			Customer No.	Model No.	A25-6-BB3-R
Date	Name	Description	No.	12/06/16			Unit	mm	SCI
								Rossmann Electronic GmbH	Rev. X_0