
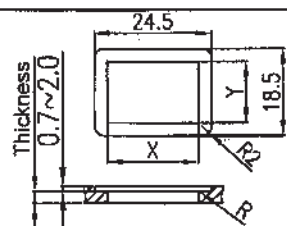
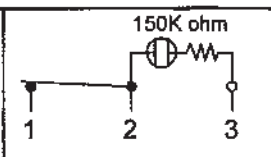
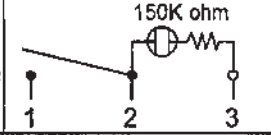


Rating	16A 125VAC 1/3HP		Mounting Hole 	Circuit Diagram 									
	10A 250VAC 1/2HP												
Contact Resistance	50m ohm Max.												
Insulation Resistance	DC 500V 100M ohm Min.												
Dielectric Strength	AC 1500V 1 minute												
Operation Temperature	-25°c~85°c												
Switch Function	3P SPST ON-OFF(Neon dependent)		<table border="1"> <tr> <th>Thickness</th> <th>X</th> <th>Y</th> </tr> <tr> <td>0.75...1.5</td> <td>19.4-0.1</td> <td>13+0.1</td> </tr> <tr> <td>1.5...2.5</td> <td>19.6-0.1</td> <td>13+0.1</td> </tr> </table>	Thickness	X	Y	0.75...1.5	19.4-0.1	13+0.1	1.5...2.5	19.6-0.1	13+0.1	
		Thickness	X	Y									
0.75...1.5	19.4-0.1	13+0.1											
1.5...2.5	19.6-0.1	13+0.1											

Material:

Frame: Black, Nylon 66 (94-V2)

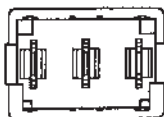
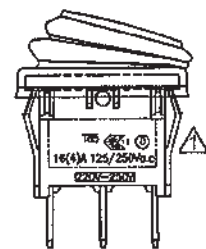
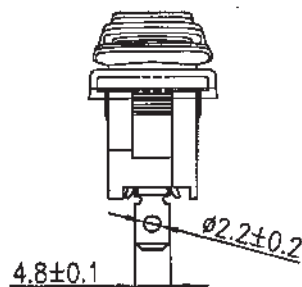
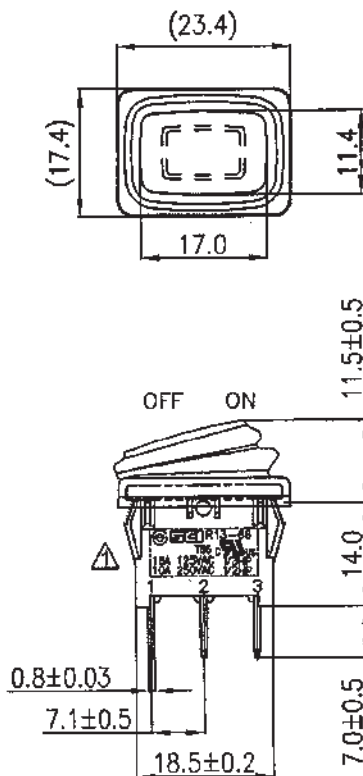
Actuator: PC clear (94-V2)

Waterproof Rubber: Silicone

Terminals: Silver plated, Copper alloy

Printed: None

Waterproof: IP65



COLOR	Frame	Actuator	Waterproof Rubber
1824272	Black	Red	Black
1824273	Black	Green	Black
1824274	Black	Yellow	Black

Tolerances ±0.3 Unless Otherwise Specified

									△	
11/21/14	黃洋	依實物更新本體刻字,更新圖面								△
Date	Name	Description						No.		
Drawn	Checked	Approved	SCI BOM No.	SEE TABLE	Model Name	ROCKER SWITCH				
黃洋	周立輝		Customer No.		Model No.	R13-66B8W-02	Rev.	1		
11/21/14	11/21/14	11/21/14	Unit	mm	SCI	Rossmann Electronic GmbH info@rossmannweb.de				