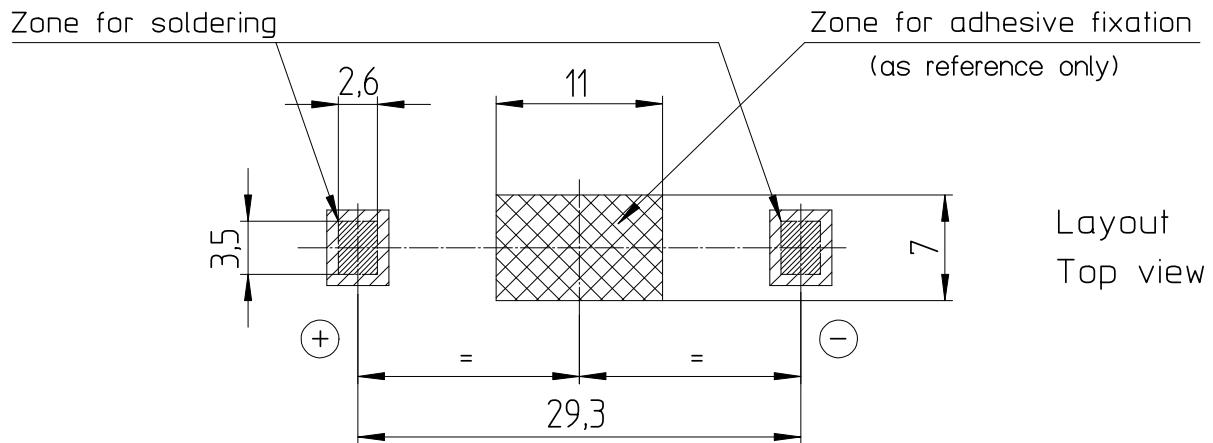
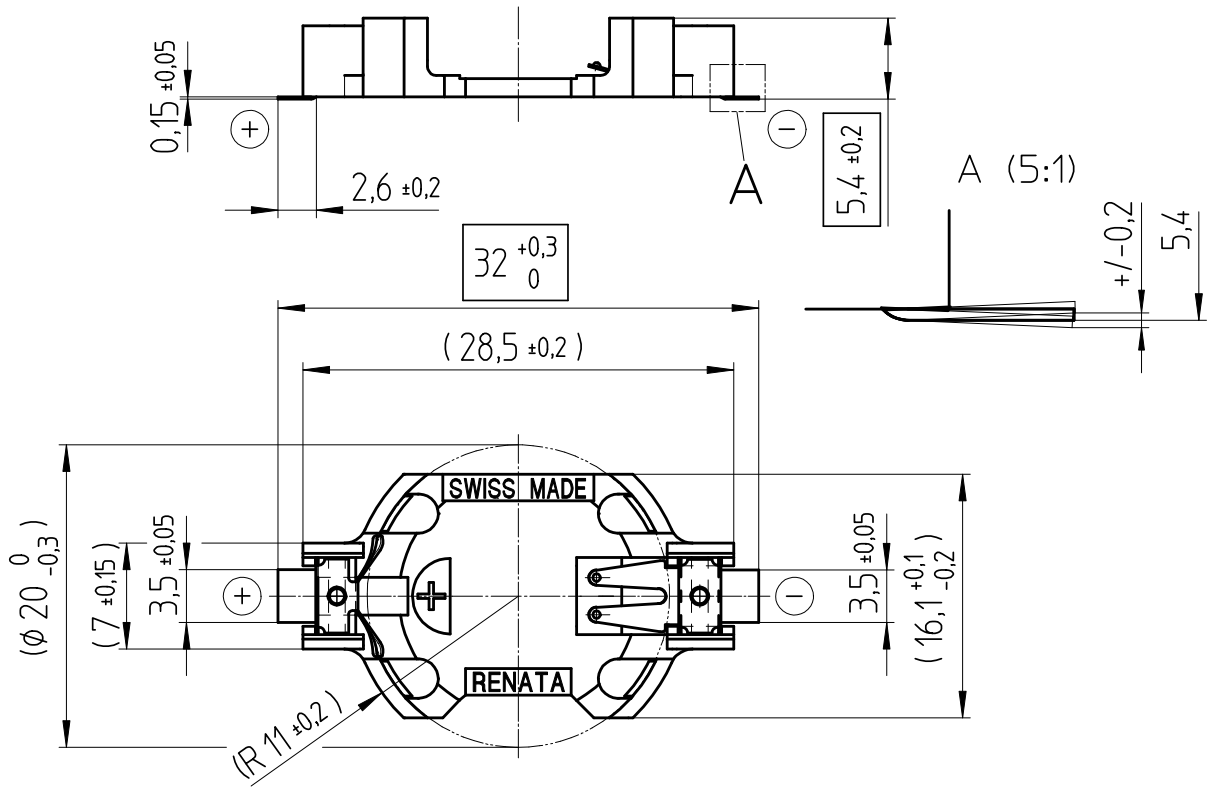


Art.-Number: 701116



- Samples can deviate in the execution from the serie.

Holder material : heat resistant, glass-fiber reinforced LCP

Battery contacts : spring stainless steel 301 nickel plated, thickness 10µm

Solder contacts : spring stainless steel 301 solder plated throughout 100% Sn, thickness 10µm

- Dimensions and tolerances can be specified only after the testing of the devices for the mass production definitely

All framed values will be used for dimension checking !

Rev. ○	Rev. ○	Rev. ○		Customer's Approval		
Rev. ○	Rev. ○	Rev. ○		Date		
Rev. ○	Rev. ○	Rev. ○		Signature		
Titel: <b>SMTU2032-LF</b>				Scale	2:1	
				Drawn	25.01.05	SRi
				Checked		
				Approved	02.02.05	MHo
<b>renata</b> batteries			CH-4452 Itingen Switzerland		<b>3.8760.4-</b>	