

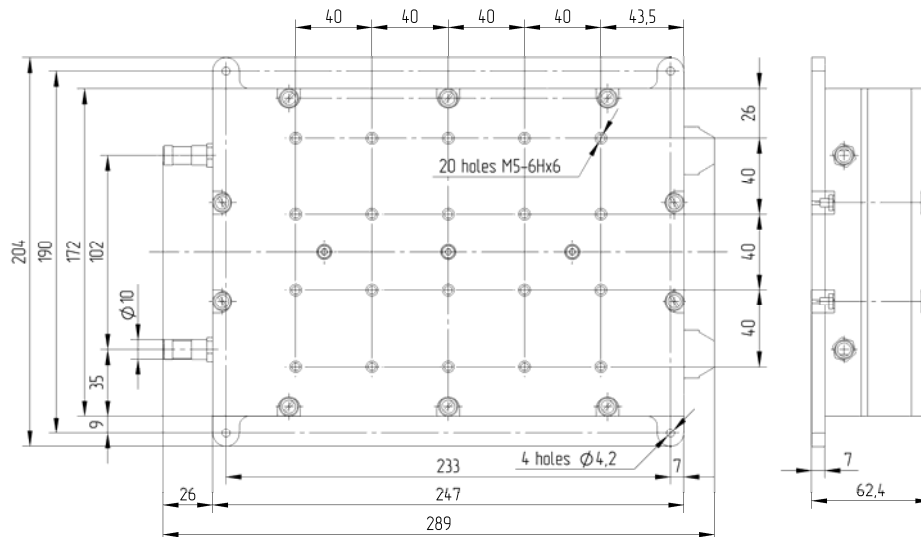
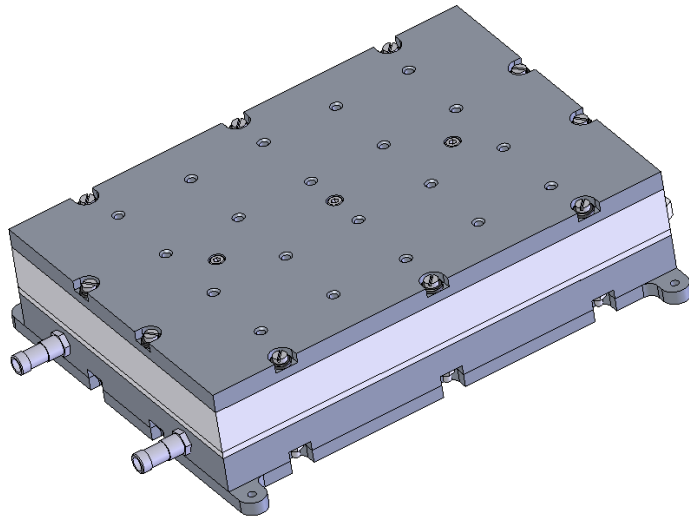


# KRYOTHERM

Aerodromnaya str.6, Saint-Petersburg, 197348, Russia

tel: 7 (812)394-1310  
 fax: 7(812) 394-1267  
 e-mail: info@kryotherm.ru  
 http://www.kryotherm.ru

## Specification of thermoelectric cooling assembly 400LS



	Parameter	Unit	Value
1	Supply voltage (DC)	V	24
2	Current consumption	A	$\leq 24,5$
3	Mode of operation	-	continuous
4	Liquid type	-	water, aqueous solution ethanol, ethylene glycol and other liquids*
5	Nominal fluid consumption (minimum)	liters /hour	400 (50)
6	Nominal cooling capacity (liquid input temperatures $+25^{\circ}\text{C}$ )	W	Not less than 390
7	Weight	kg	5
8	Working temperature range	$^{\circ}\text{C}$	$-10 \div +70$
9	Thermal and electrical parameters tolerance	%	$\pm 10$

\* Used liquid would not contain components able to create stratum or corrosion inside at the liquid radiators rids (manufactured by aluminum alloy). Also, it should not boil or froze in all operating temperature range of the assembly.

