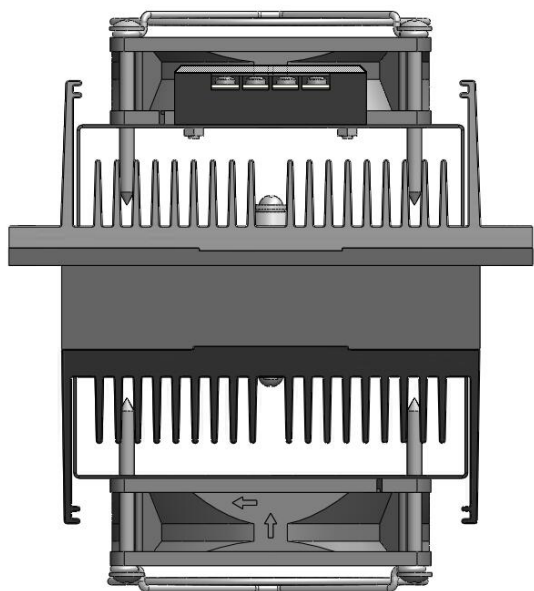
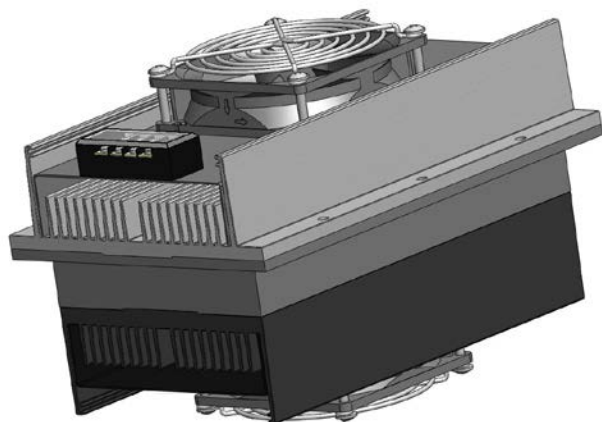


**SPECIFICATION OF THERMOELECTRIC COOLING ASSEMBLY 60-24-AA**



<i>Thermoelectric parameters</i>	<i>Unit</i>	<i>Value</i>
<b>Operating voltage (U)</b>	<b>Volts</b>	<b>24</b>
<b>Operating current (I)</b>	<b>Amps</b>	<b>2.8</b>
<b>Electric power (P)</b>	<b>Watts</b>	<b>67</b>
<b>Operating cooling power (Qc)</b>	<b>Watts</b>	<b>40</b>
<b>Max. cooling power</b>	<b>Watts</b>	<b>54</b>
<b>Tolerance</b>	<b>%</b>	<b>±10</b>

<i>Operation parameters</i>	<i>Unit</i>	<i>Value</i>
<b>Working temperature range</b>	<b>°C</b>	<b>-30 ÷ +70</b>
<b>Noise level</b>	<b>dBA</b>	<b>36</b>
<b>Net weight</b>	<b>kg</b>	<b>2.8</b>

